

---

# Product Specifications

**NAME:** RF constant Dimmer

**MODEL:** NEO-DIM-2-4A-RF



## Summarization

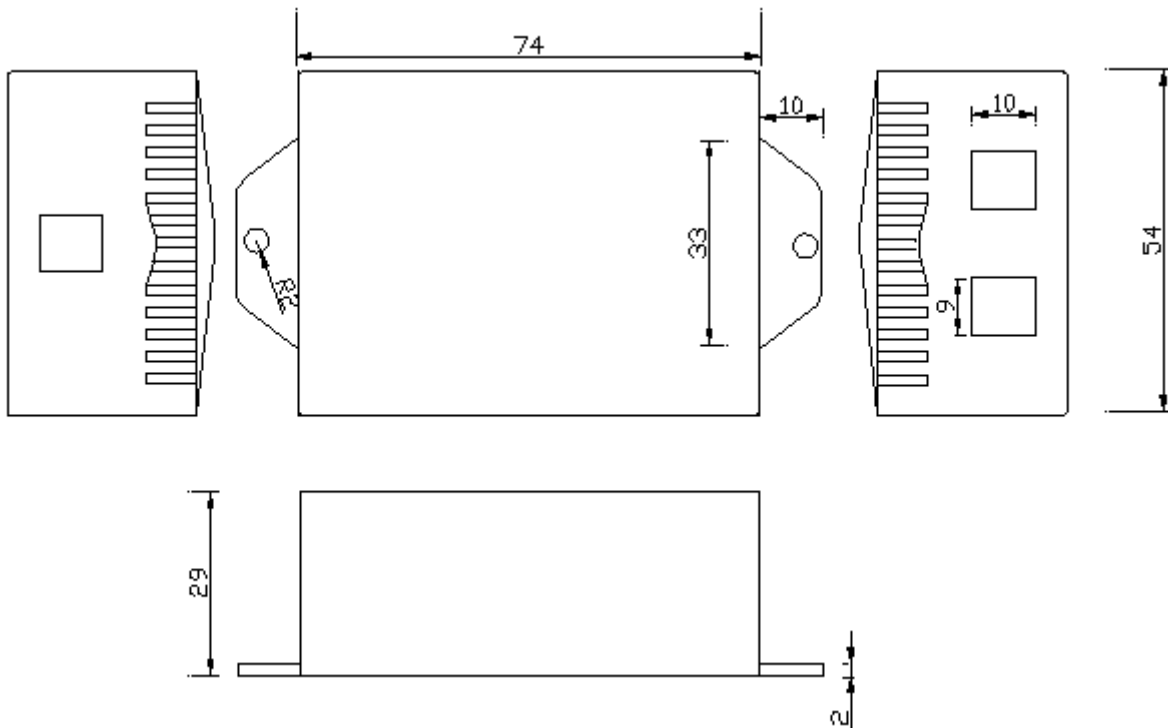
RF controller adopts the advanced micro control unit, it is used for controlling a variety of lamp whose source of light is LED. For instance, point source of light, flexible light strip, wall washer lamp, glass curtain wall light and so on; At the same time, it has many advantages such as convenient connection ,simplicity to use and others. According to the actual need of customers.

## Technical parameters

- working temperature:-20-60°C
  - supply voltage: DC5V, 6V, 12V,24V < optional > ( supply voltage should be marked on order )
  - output: 1 channel
  - transmit and receive frequency: 433.92Mhz
  - external dimension: L74XW54XH29 mm
  - packing size: L122XW85XH42 mm
  - net weight: 90g
-

- gross weight: 120g
- Static power consumption: <1W
- output current: <4A (each channel)
- output power: 5V:<40W, 12V:<96W, 24V:<192W

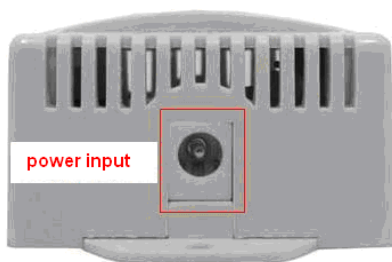
### External Dimension



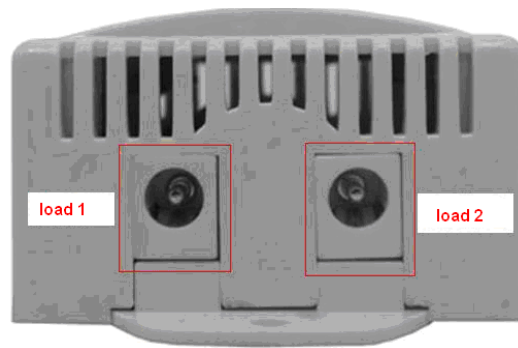
Unit: mm

### Interface Specifications

input interface (Adopt two conventional DC power Transposon)



Output interface (Adopt two conventional DC power Transposon)



## Direction for use

- 1、 Connect the load wire at first, following by the power wire; **Please ensure short circuit can not occur between connecting wire before you turn on the power;**
- 2、 Adopt RF controller, for 4 keys, its function as follows:
  - A:** 100% brightness
  - B:** 50% brightness
  - C:** 25% brightness
  - D:** 0% brightness

## Typical Applications

